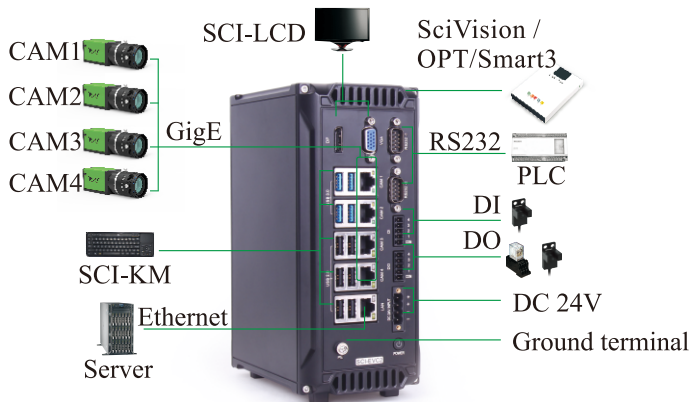




EVC2 Vision Controller



Connector Description

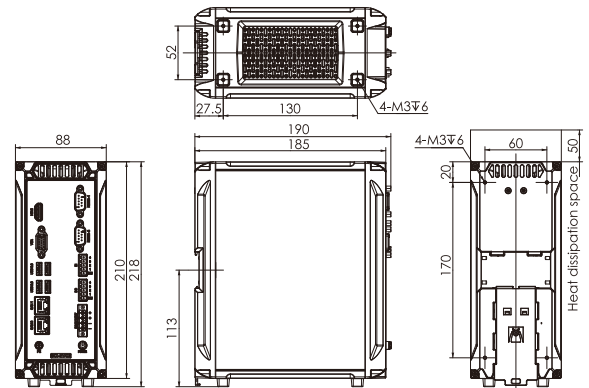


Features

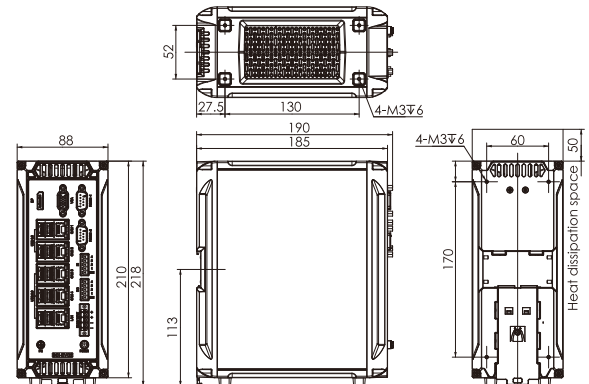
- High performance multi-core CPU
- High throughput SSD (Solid State Drive)
- Supports simultaneous capture of multiple GigE cameras
- Rich peripheral interfaces
- Full aluminum alloy casing design

Dimensions (mm)

1. OPT-EVC2-J2202



2. OPT-EVC2-32205



Specifications

Model	OPT-EVC2-72204	OPT-EVC2-52204	OPT-EVC2-32204	OPT-EVC2-J2201
Processor	i7	i5	i3	J1900
Number of Camera Support	4 (Note:5 Network ports, one of the ports is used for other data transmission)			1 (Note:2 Network ports)
Memory	4GB (It supports up to 16GB)			4GB (It supports up to 8GB)
SSD	64GB(Capacity customizable)			
HDD	Capacity customizable			
Power	24VDC/3A			24VDC/2A
Cooling method	Fan cooling			Fanless
Video Interface	1×VGA, 1×DP			1×VGA, 1×HDMI
Serial Port	2×RS232			
USB Port	6×USB2.0, 4×USB3.0			3×USB2.0 1×USB3.0
DI/O	4			
Operating Temperature	0°C - 50°C (32°F - 122°F)			
Operating RH	10% - 85%, non-condensing			
Storage Temperature/RH	-40°C - 80°C (-40°F - 176°F); 0 - 80%			